

DMI-106

6.5" RAILWAY MONITOR



VDS Rail
The onboard networking
company

The DMI-106 VGA Railway Monitor is designed to provide a robust and versatile solution for rolling stock applications, ready for harsh environments and compliant with EN-50155.



HIGHLIGHTS

- ROLLING STOCK APPLICATIONS
- EN 50155 COMPLIANT
- OPERATIONAL TEMPERATURE: -25°C/+70°C ACCORDING TO EN 50155 T1 CLASS
- WIDE OPERATING VOLTAGE RANGE
- TOUCH SCREEN VERSION AVAILABLE
- AUTOMATIC BRIGHTNESS ADJUSTMENT
- RATED IP65 ON FRONT PANEL

Technical specifications

Approvals/Compliance

Governing standard	EN 50155 Railway Applications (Electronic equipment used on rolling stock)
Electromagnetic compatibility rolling stock apparatus	EN 50121-3-2
Environmental testing - Part 2-1	Tests - Test A: Cold: IEC 60068-2-1
Environmental testing - Part 2-2	Tests - Test B: Dry heat: IEC 60068-2-2
Guidelines for fire protection - Evaluation of fire behavior of materials	UNI CEI 11170-3
Shock & Vibration	EN 61373
Temperature range	-25°C/+55°C (-25°C/+70°C for 10 minutes according to EN 50155-T1 class)

Display

Colors	256 K
Contrast	600:1 (typ)
Luminance	700 cd/m ² (typ)
Resolution	640 x 480 pixels (SVGA)
Size	6.5"
Type	LCD TFT color

Environment

Front panel IP rating	IP 65
-----------------------	-------

Input signals

1 x VGA input port 15 pin, High Density, D-SUB, female
--

Physical data

Back dimensions	176 x 142 mm
Depth	60 mm
Front dimensions	196 x 150 mm

Power supply

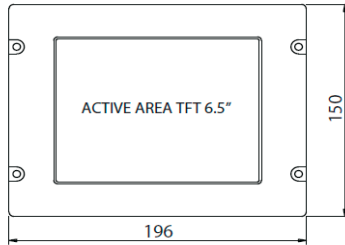
Max consumption	15 W
Voltage range	14,4 ÷ 40 Vcc

DMI-106

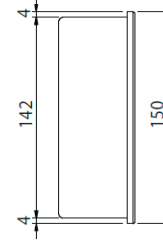
6.5" RAILWAY MONITOR

**VDS Rail**
The onboard networking
company

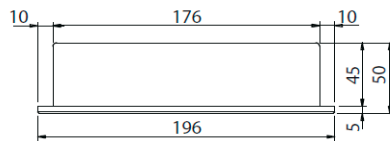
Wall Mounting



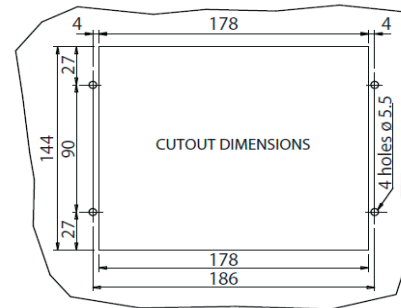
FRONT VIEW



SIDE VIEW



TOP VIEW



PANEL CUT OUT

Ordering codes

DMI-106 24 Vdc version

DM106M DMI-106 VGS Railway Monitor, 24 Vdc

OPTIONS

- DM06TS** 6.5" resistive touch screen
- DM0068** M23 power connector + 2 pins
- DM0070** Display settings controller (RS-232)