

TrainCAM Monitor

12,1" AND 15" RAILWAY INTELLIGENT HMI



VDS Rail
The onboard networking
company



The TrainCAM Monitor is specifically designed to meet Ethernet cameras CAB viewing requirements during shunting operations. Compared with similar products, due to his architecture and application software, with a total video decoding capability over 100 Megapixel-per-second is able to display multiple IP cameras streams with a very low latency. Equipped with a touch screen can display up to four cameras simultaneously. Selected camera can be switched with no delay in a full screen mode. The Train-CAM Monitor is available in 12,1" and 15" format and comes with a wide range of operating voltages and a top-level mechanical enclosure to meet EN 50155 and onboard equipments. Optionally can be supplied with two Ethernet ports to be connected in link aggregation to increase system reliability.

HIGHLIGHTS

- VIDEO DECODING CAPABILITY UP TO 100 MEGA PIXELS PER SECOND
- LOW LATENCY IP CAMERAS DISPLAY
- DOUBLE ETHERNET INTERFACE
- TOUCHSCREEN WITH MULTITOUCH TECHNOLOGY
- ROLLING STOCK APPLICATIONS
- EN 50155 COMPLIANT
- OPERATIONAL TEMPERATURE -25°C/+70°C ACCORDING TO EN 50155-T3
- RATED IP65 ON FRONT PANEL

Technical specifications

APPROVALS/COMPLIANCE

Reference Standard:	EN 50155 Railway Applications (Electronic equipment used on rolling stock)
---------------------	---

APPROVALS/COMPLIANCE (EMC)

Electromagnetic compatibility	EN 50121-3-2
-------------------------------	--------------

APPROVALS/COMPLIANCE (ENVIRONMENT)

Guidelines for fire protection - Evaluation of fire behavior of materials:	EN 45545-2
Shock &Vibration:	EN 61373 category 1, class B
Temperature range:	-25°C/+70°C (-25°C/+85°C for 10 minutes according to EN 50155-T3 class)

DISPLAY

Available sizes:	12,1" / 15"
Colors:	16,2 M
Contrast:	700:1 (typ)

Luminance:

12,1" version	600 cd/m ² (typ)
15" version	400 cd/m ²

Resolution:	1024x768 px
-------------	-------------

Active area:

12,1" version	245,76x184,32 mm
15" version	304,1x228,1 mm

PHYSICAL DATA

Fast Ethernet connectors:	M12, female, 4-ways, D-coding
Power supply connector:	3W3C type connector
Power supply voltage range (isolated):	24/72/96/110 Vdc range according to EN 50155
Power supply interruption	Class S2 according EN 50155
Power consumption:	30 W max

Overall dimensions:

12,1" version	349x245x56 mm
15" version	375x290x61 mm

Weight:

12,1" version	4 Kg
15" version	5 Kg

Relative humidity (non condensing):	0 ÷ 95 %
--	----------

Storage temperature:	-40 ÷ +85 °C
----------------------	--------------

Degree of protection:	Standard IP65 front panel
-----------------------	---------------------------

TrainCAM Monitor

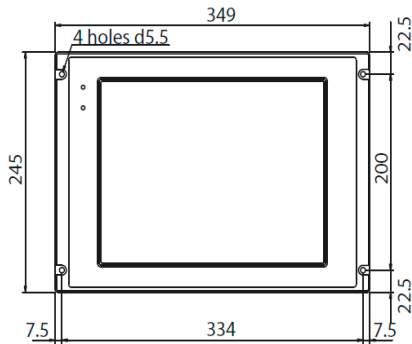
12,1" AND 15" RAILWAY INTELLIGENT HMI



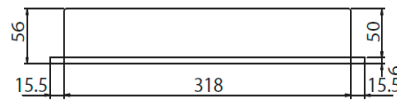
VDS Rail
The onboard networking
company

Wall Mounting

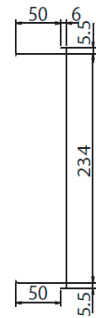
TrainCAM monitor - 12,1"



FRONT VIEW

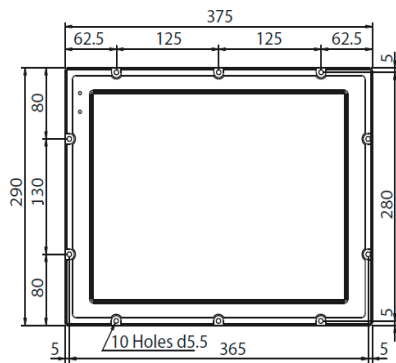


TOP VIEW

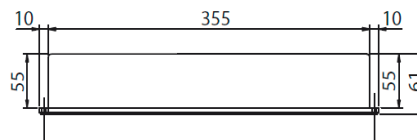


SIDE VIEW

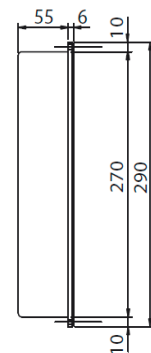
TrainCAM monitor - 12,1"



FRONT VIEW



TOP VIEW



SIDE VIEW