

DMI-412

12.1" RAILWAY INTELLIGENT HMI



VDS Rail
The onboard networking
company

The DMI-412 Railway Intelligent HMI is designed to provide a robust and versatile solution for rolling stock applications. With support for a wide range of operating voltage and a top-level mechanical enclosure, this Railway Intelligent HMI is ready for harsh environments and is compliant with EN50155 standard. Options for several interfaces such as Ethernet, serial line and the support for industry standard operating systems make the DMI-412 capable of empowering many on-board applications.



HIGHLIGHTS

- Rolling stock applications
- EN 50155 compliant
- Operational temperature -25°C ÷ 70°C according to EN50155 Class OT3
- Dual Core / Quad Core processors
- Automatic Brightness adjustment
- Standard interfaces available (Ethernet 10/100 Mbps, USB 2.0, ...)
- Rated IP65 on Front Panel
- Linux and Windows Embedded Supported
- Resistive/Capacitive Touch Screen

Technical specifications

Approvals/Compliance

Governing standard	EN50155 - Railway Applications (Electronic equipment used on rolling stock)
--------------------	--

Approvals/Compliance (EMC)

Electromagnetic compatibility rolling stock apparatus	EN50121-3-2
---	-------------

Approvals/Compliance (ENVIRONMENT)

Environmental test	EN60068-2-1; EN60068-2-2
Guidelines for fire protection - Evaluation of fire behaviour of materials	EN45545-2
Shock & Vibration	EN61373
Temperature range	25 ÷ +70 °C (according to EN 50155 class OT3 with extended operating temperature ST1 cycle B)

Display

Size	12.1"
Colours	16.2M
Contrast	1000 :1 (Typ)
Dimming	Max ÷ 30 cd/m2
Brightness	600 cd/m2 (Typ)
Resolution	1024x768 (XGA)

Embedded Processor Unit

CPU	Intel Celeron Dual Core / Quad Core @ 1.0 GHz or equivalent
L2 Cache memory	1 MB / 512 KB
Flash memory	8 GB Disk on Module
RAM	4 GB

Other characteristics

LAN	2xEthernet 10/100 Base-T port
Sensors	Brightness sensor
Speakers	Built-in, 2 Watt
Service port	USB 2.0 port
Serial port	RS232/RS422/RS485 ports
Touch screen	Resistive / Capacitive
Input peripherals	USB

Operating Systems

Operating system	Linux
Operating system 1	Windows Embedded

Power Supply

	24 Vdc
Nominal Voltages	72 Vdc
	96/110 Vdc

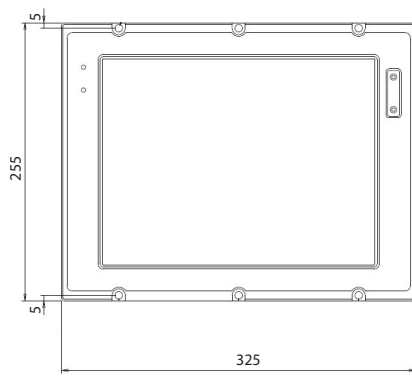
DMI-412

12.1" RAILWAY INTELLIGENT HMI

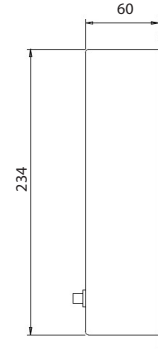


VDS Rail
The onboard networking
company

Train Control Desk mounting



FRONT VIEW



SIDE VIEW